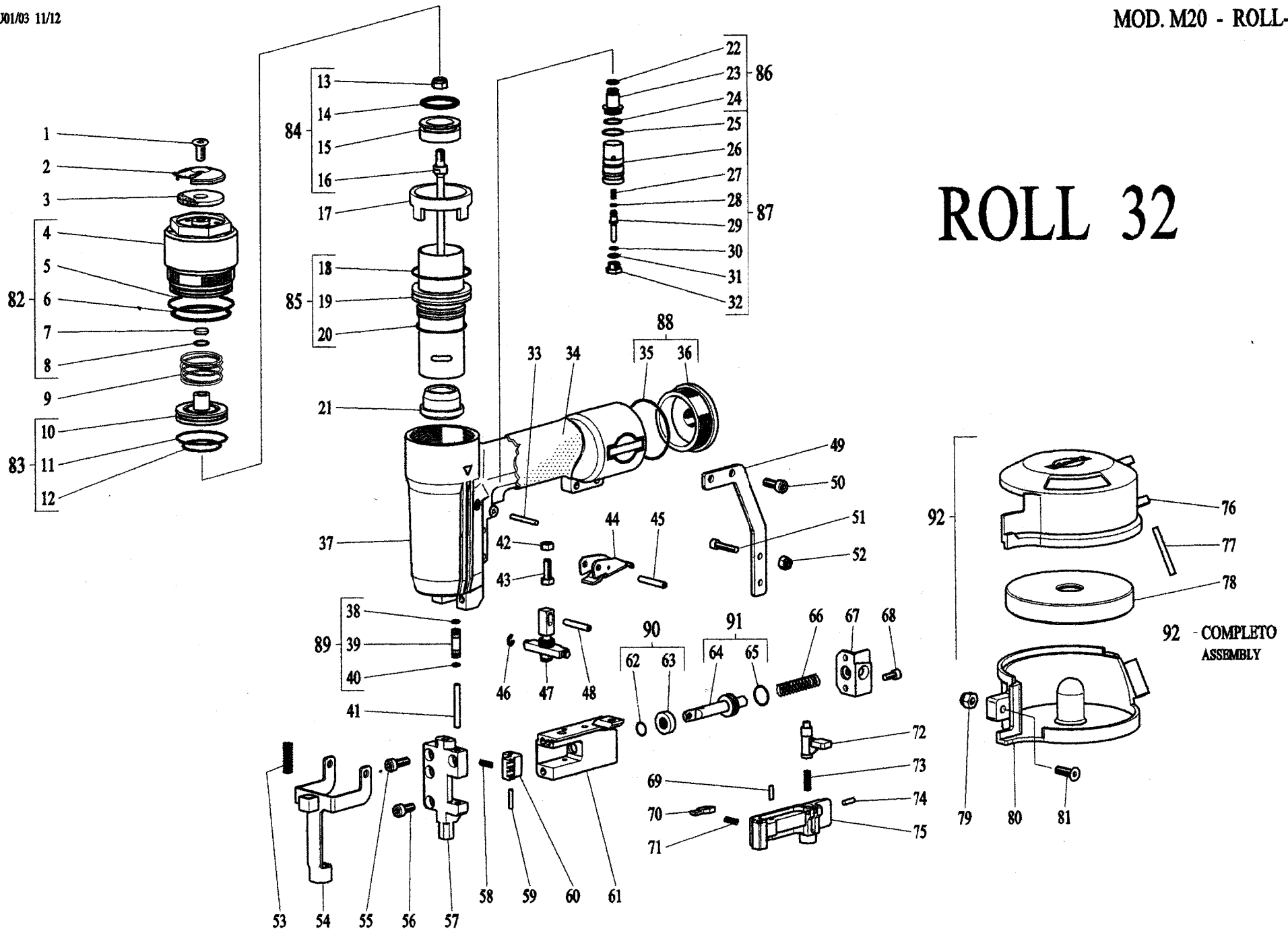


ROLL 32



<u>RIF.</u> <u>COD.</u>						<u>DATI TECNICI</u>		<u>POTENZA ACUSTICA</u>		<u>VIBRAZIONI PRODOTTE</u>	
1	B000028A10	43	B000028D10	85	D720241U01	Codice A720000U01	Peso: 1450 gr.	DIRETTIVA 89/392 CEE	DIRETTIVA 89/392 CEE		
2	C425100A01	44	D750441A01	86	D416302A01	Modello M20	Dimensioni: 109-215-235 mm.	prEN 12549 (1999)	ISO/FDIS 8662-11 (1999)		
3	C425103A02	45	B000026A09	87	D720361A03	Tipo Punto ROLL	Consumo aria: 0,70 NI/colpo (6 bar)	UNI EN ISO 3744 (1997)	ah.w.3s= inferiore a 2,5 (m/s ²)		
4	D421123A01	46	B000021C01	88	D430283A01	Lungh. min. 16 mm.	Pressione min.: 4,0 bar	LwA= 82,5 (dB)			
5	B000020A40	47	D720484U01	89	D720269U01	Lungh. max. 32 mm.	Pressione max.: 7,0 bar	LpA 60S 1M= 80,7 (dB)			
6	B000020A39	48	B000026A09	90	D720858U01						
7	C225160A01	49	C720701U01	91	D720846U01	Kode A720000U01	<u>TECHNISCHE DATEN</u>	<u>SCHALLEISTUNG</u>	<u>GERAETEBEZOGENER</u>		
8	B000020A04	50	B000028B12	92	D720726U01	Modell M20	Gewicht: 1450 gr.	EWG RICHTLINIE 89/392	<u>VIBRATIONSWERT</u>		
9	C016200A01	51	B000028B07			Klammer Typ ROLL	Abmessungen: 109-215-235 mm.	prEN 12549 (1999)	EWG RICHTLINIE 89/392		
10	D421202A01	52	B000023B01			Min. Länge 16 mm.	Luftverbrauch: 0,70 NI/pro Schlag (6 bar)	UNI EN ISO 3744 (1997)	ISO/FDIS 8662-11 (1999)		
11	B000020A36	53	C450663A01			Max. Länge 32 mm.	Min.Betriebsdruck: 4,0 bar	LwA= 82,5 (dB)	ah.w.3s= unter 2,5 (m/s ²)		
12	B000020A33	54	D720640U01				Max.Betriebsdruck: 7,0 bar	LpA 60S 1M= 80,7 (dB)			
13	B000023B03	55	B000028C02								
14	B000020B39	56	B000028B11			Code A720000U01	<u>TECHNICAL FEATURES</u>	<u>NOISE POWER</u>	<u>TOOL RELATED VIBRATION</u>		
15	C720220U01	57	C720540U01			Model M20	Weight: 1450 gr.	EEC DIRECTIVE 89/392	<u>VALUE</u>		
16	C720225U01	58	C216340A01			Staple type ROLL	Dimensions: 109-215-235 mm.	prEN 12549 (1999)	EEC DIRECTIVE 89/392		
17	C425242A01	59	B000025A17			Min. length 16 mm.	Air consumption: 0,70 NI/shot (6 bar)	UNI EN ISO 3744 (1997)	ISO/FDIS 8662-11 (1999)		
18	B000020A39	60	C720873U01			Max. length 32 mm.	Min.working pressure: 4,0 bar	LwA= 82,5 (dB)	ah.w.3s= below 2,5 (m/s ²)		
19	D720241U01	61	D720729U03				Max.working pressure: 7,0 bar	LpA 60S 1M= 80,7 (dB)			
20	B000020A59	62	B000020A63								
21	C225244A01	63	D720858U01			Code A720000U01	<u>DONNEES TECHNIQUES</u>	<u>PUISSANCE ACOUSTIQUE</u>	<u>VALEUR DES VIBRATIONS</u>		
22	B000020A17	64	D720846U01			Modèle M20	Poids: 1450 gr.	DIRECTIVE CEE 89/392	<u>PAR LA MACHINE</u>		
23	D416302A01	65	B000020B41			Agrafe type ROLL	Dimensions: 109-215-235 mm.	prEN 12549 (1999)	DIRECTIVE CEE 89/392		
24	B000020A01	66	C710842U03			Longueur min. 16 mm.	Consommation d'air: 0,70 NI/coup (6 bar)	UNI EN ISO 3744 (1997)	ISO/FDIS 8662-11 (1999)		
25	B000020A03	67	C720890U03			Longueur max. 32 mm.	Pression de fonction min.: 4,0 bar	LwA= 82,5 (dB)	ah.w.3s= inférieur à 2,5 (m/s ²)		
26	D720361A03	68	B000028B03				Pression de fonction max.: 7,0 bar	LpA 60S 1M= 80,7 (dB)			
27	C216340A01	69	B000026A14								
28	B000020A14	70	C720872U01			Código A720000U01	<u>DATOS TECNICOS</u>	<u>POTENCIA ACUSTICA</u>	<u>VIBRACION PRODUCIDA</u>		
29	D720345A03	71	C216340A01			Modelo M20	Peso: 1450 gr.	NORMATIVA 89/392 CEE	NORMATIVA 89/392 CEE		
30	B000020A14	72	C745765U03			Grapa tipo ROLL	Dimensiones: 109-215-235 mm.	prEN 12549 (1999)	ISO/FDIS 8662-11 (1999)		
31	B000020A16	73	C720766U01			Largueza min. 16 mm.	Consumo de aire: 0,70 NI/disparo (6 bar)	UNI EN ISO 3744 (1997)	ah.w.3s= inferior a 2,5 (m/s ²)		
32	D720322A03	74	B000026A14			Largueza max. 32 mm.	Presion min.: 4,0 bar	LwA= 82,5 (dB)			
33	B000026A12	75	C720551U01				Presion max.: 7,0 bar	LpA 60S 1M= 80,7 (dB)			
34	C425262A01	76	C720731U01								
35	B000020A58	77	B000025A18			Codigo A720000U01	<u>CARACTERISTICAS TECNICAS</u>	<u>POTENCIA ACUSTICA</u>	<u>NIVEL DE VIBRAÇÃO</u>		
36	D430283A01	78	C720756U01			Modelo M20	Peso: 1450 gr.	DIRETTIVA 89/392 CEE	<u>DO PRODUTO</u>		
37	C720261U01	79	B000023B02			Tipo de agrafe ROLL	Dimensões: 109-215-235 mm.	prEN 12549 (1999)	DIRETTIVA 89/392 CEE		
38	B000020B40	80	C720722U01			Largura min. 16 mm.	Consumo de ar: 0,70 NI/disparo (6 bar)	UNI EN ISO 3744 (1997)	ISO/FDIS 8662-11 (1999)		
39	D720269U01	81	B000028A08			Largura max. 32 mm.	Pressão min.: 4,0 bar	LwA= 82,5 (dB)	ah.w.3s= inferior a 2,5 (m/s ²)		
40	B000020B40	82	D421123A01				Pressão max.: 7,0 bar	LpA 60S 1M= 80,7 (dB)			
41	C720524U01	83	D421202A01								
42	B000023A02	84	D720226U01								

B720040U01 O-Ring Kit

720/0 U01/03 11/12