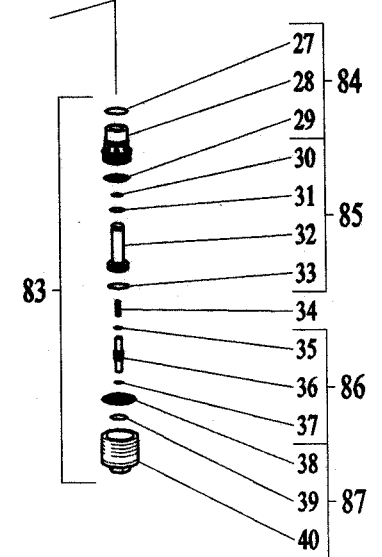
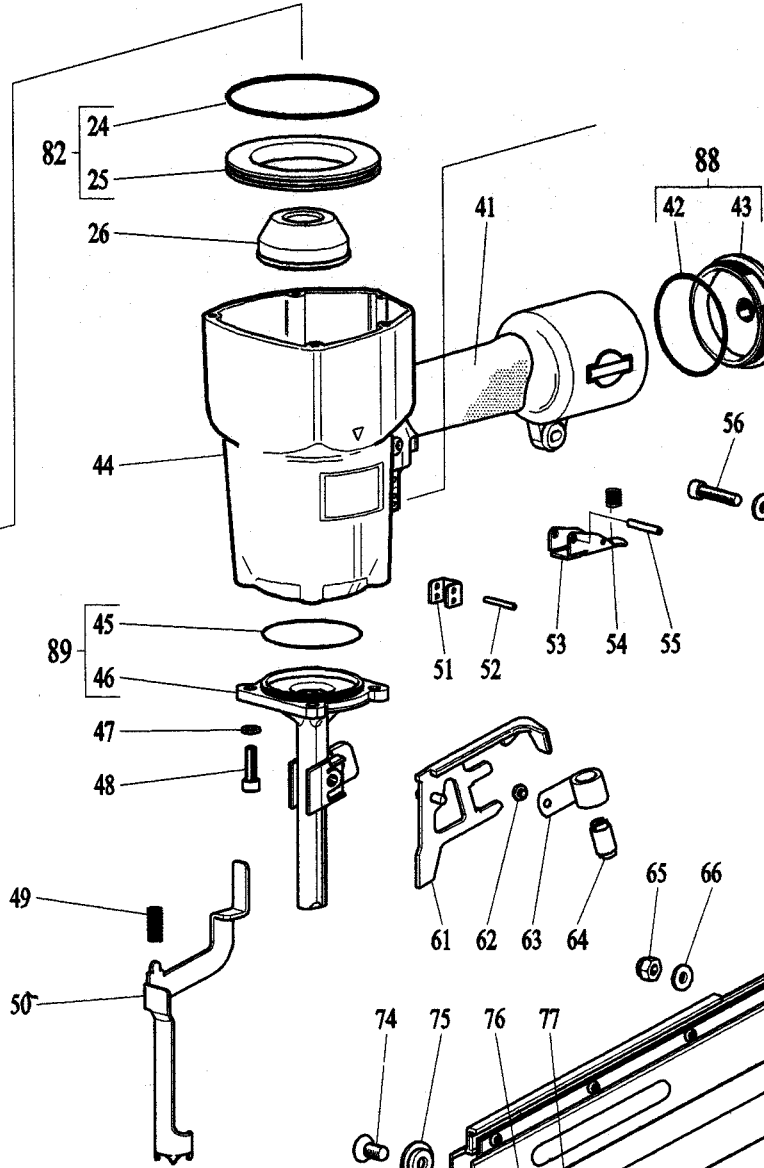
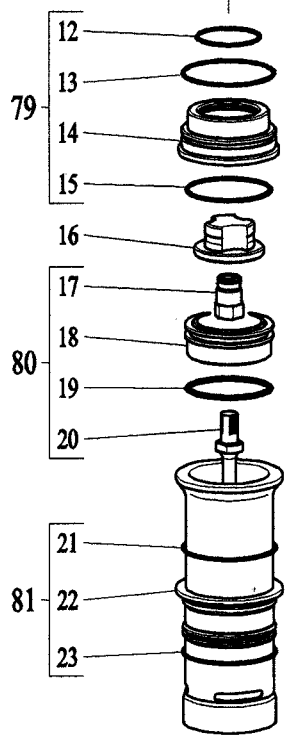
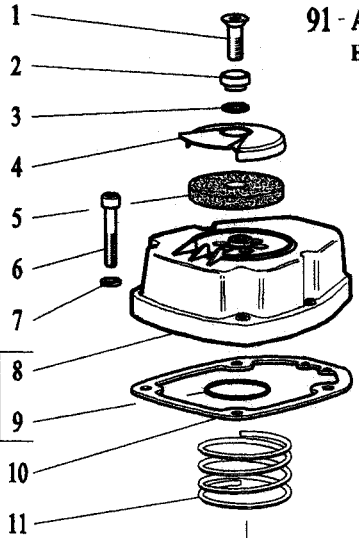
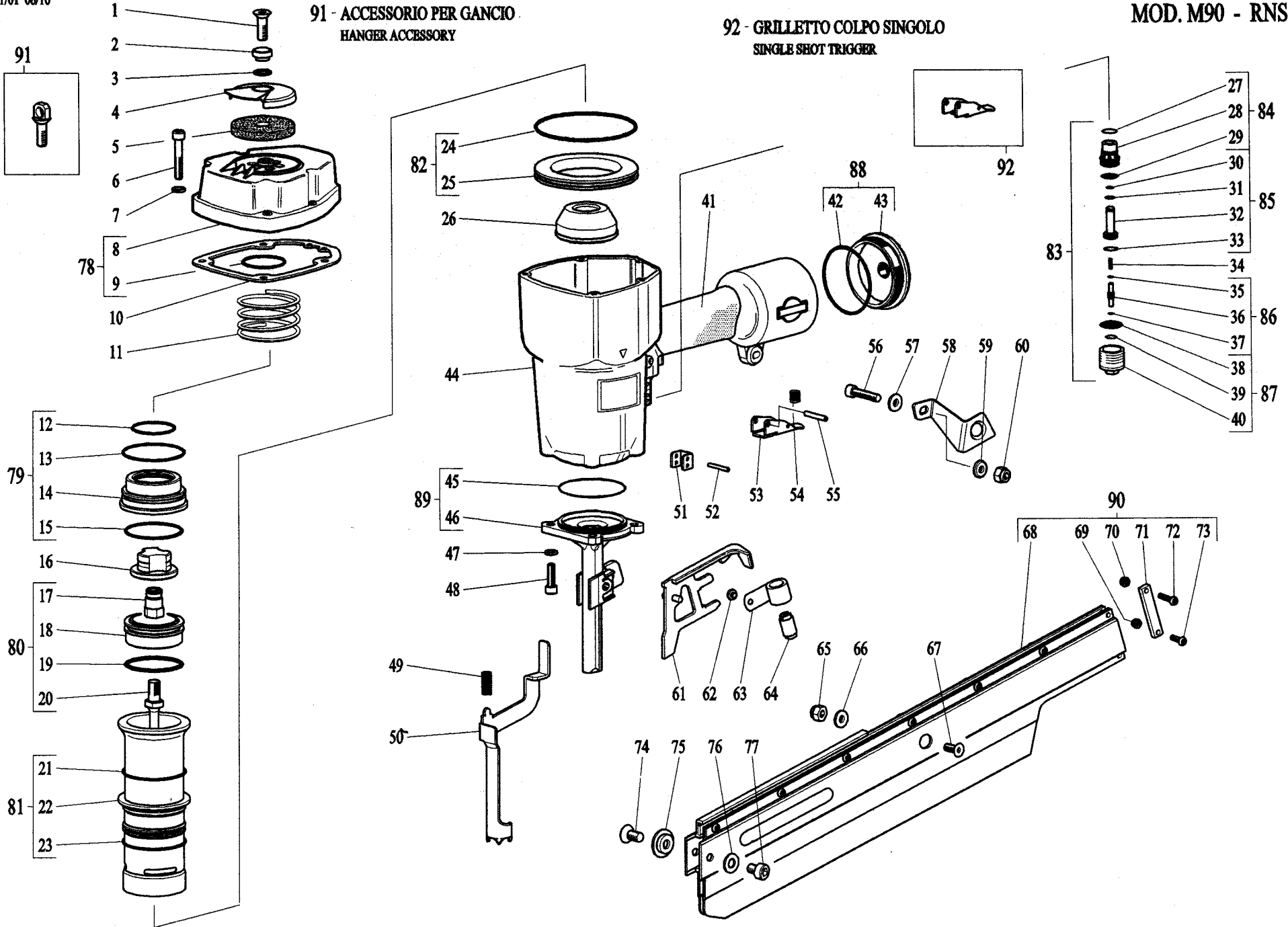
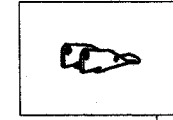
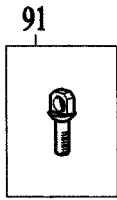


91 - ACCESSORIO PER GANCIO  
HANGER ACCESSORY

92 - GRILLETTO COLPO SINGOLO  
SINGLE SHOT TRIGGER

MOD. M90 - RNS-90



**RIF. COD.**

1	B000028A24	43	D465283A01	85	D565304A01
2	C750104A01	44	C590261K03	86	D565345A01
3	B000020A04	45	B000020A69	87	D565325A02
4	C750100A01	46	D590546K01	88	D465283A01
5	C790103U01	47	B000022C04	89	D590546K01
6	B000028B26	48	B000028B28	90	D590984K05
7	C565180A01	49	C230661A01	91	C750105A01
8	D790123K03	50	C590600K01	92	D790442K01
9	B000020A37	51	C565689A01		
10	C565181A01	52	B000026A15		
11	C750200A01	53	D790441K01		
12	B000020A38	54	C565401A01		
13	B000020A44	55	B000026A09		
14	D790202K01	56	B000028B20		
15	B000020A44	57	C275702K01		
16	C750162A01	58	C590700K02		
17	C790222K01	59	C275702K01		
18	C565220A01	60	B000023B03		
19	B000020A66	61	D590876K02		
20	C590225K01	62	C755801K01		
21	B000020A48	63	C275843K01		
22	D590241K01	64	D275882K01		
23	B000020A47	65	B000023B03		
24	B000020A56	66	C275702K01		
25	D465243A01	67	B000028A13		
26	C590244K01	68	D590982K05		
27	B000020A67	69	B000023B01		
28	D565307A02	70	B000023B01		
29	B000020A20	71	C590942K01		
30	B000020A16	72	B000028E08		
31	B000020A17	73	B000028E07		
32	D565304A01	74	B000028A23		
33	B000020A63	75	C590695K01		
34	C216340A01	76	B000022D02		
35	B000020B04	77	B000028B29		
36	D565345A01	78	D790123K03		
37	B000020B04	79	D790202K01		
38	B000020A73	80	D790226K05		
39	B000020A63	81	D590241K01		
40	D565325A02	82	D465243A01		
41	C450262A01	83	D565360A02		
42	B000020A48	84	D565307A02		

Codice A790000K01  
Modello M90  
Tipo Punto RNS  
Lungh. min. 50 mm.  
Lungh. max. 90 mm.

Kode A790000K01  
Modell M90  
Klammer Typ RNS  
Min. Länge 50 mm.  
Max. Länge 90 mm.

Code A790000K01  
Model M90  
Staple type RNS  
Min. length 50 mm.  
Max. length 90 mm.

Code A790000K01  
Modèle M90  
Agrafe type RNS  
Longueur min. 50 mm.  
Longueur max. 90 mm.

Código A790000K01  
Modelo M90  
Grapa tipo RNS  
Largueza min. 50 mm.  
Largueza max. 90 mm.

Codigo A790000K01  
Modelo M90  
Tipo de agrafe RNS  
Largura min. 50 mm.  
Largura max. 90 mm.

**DATI TECNICI**

Peso: 3800 gr.  
Dimensioni: 170-364-524 mm.  
Consumo aria: 3,50 NI/colpo (6 bar)  
Pressione min.: 5,0 bar  
Pressione max.: 8,0 bar

**TECHNISCHE DATEN**

Gewicht: 3800 gr.  
Abmessungen: 170-364-524 mm.  
Luftverbrauch: 3,50 NI/pro Schlag (6 bar)  
Min.Betriebsdruck: 5,0 bar  
Max.Betriebsdruck: 8,0 bar

**TECHNICAL FEATURES**

Weight: 3800 gr.  
Dimensions: 170-364-524 mm.  
Air consumption: 3,50 NI/shot (6 bar)  
Min.working pressure: 5,0 bar  
Max.working pressure: 8,0 bar

**DONNEES TECHNIQUES**

Poids: 3800 gr.  
Dimensions: 170-364-524 mm.  
Consommation d'air: 3,50 NI/coup (6 bar)  
Pression de fonction min.: 5,0 bar  
Pression de fonction max.: 8,0 bar

**DATOS TECNICOS**

Peso: 3800 gr.  
Dimensiones: 170-364-524 mm.  
Consumo de aire: 3,50 NI/disparo (6 bar)  
Presion min.: 5,0 bar  
Presion max.: 8,0 bar

**CARACTERISTICAS TECNICAS**

Peso: 3800 gr.  
Dimensões: 170-364-524 mm.  
Consumo de ar: 3,50 NI/disparo (6 bar)  
Pressão min.: 5,0 bar  
Pressão max.: 8,0 bar

B790040K03 O-Ring Kit

**POTENZA ACUSTICA**

DIRETTIVA 89/392 CEE  
prEN 12549 (1999)  
UNI EN ISO 3744 (1997)  
LwA= 94,7 (dB)  
LpA 60S 1M= 93,8 (dB)

**SCHALLEISTUNG**

EWG RICHTLINIE 89/392  
prEN 12549 (1999)  
UNI EN ISO 3744 (1997)  
LwA= 94,7 (dB)  
LpA 60S 1M= 93,8 (dB)

**NOISE POWER**

EEC DIRECTIVE 89/392  
prEN 12549 (1999)  
UNI EN ISO 3744 (1997)  
LwA= 94,7 (dB)  
LpA 60S 1M= 93,8 (dB)

**PUISSANCE ACOUSTIQUE**

DIRECTIVE CEE 89/392  
prEN 12549 (1999)  
UNI EN ISO 3744 (1997)  
LwA= 94,7 (dB)  
LpA 60S 1M= 93,8 (dB)

**POTENCIA ACUSTICA**

NORMATIVA 89/392 CEE  
prEN 12549 (1999)  
UNI EN ISO 3744 (1997)  
LwA= 94,7 (dB)  
LpA 60S 1M= 93,8 (dB)

**POTENCIA ACUSTICA**

DIRETTIVA 89/392 CEE  
prEN 12549 (1999)  
UNI EN ISO 3744 (1997)  
LwA= 94,7 (dB)  
LpA 60S 1M= 93,8 (dB)

790/0 K01/01 06/10

**VIBRAZIONI PRODOTTE**

DIRETTIVA 89/392 CEE  
ISO/FDIS 8662-11 (1999)  
ah.w.3s= 4,2 (m/s²)

**GERAETEBEZOGENER**

**VIBRATIONSWERT**  
EWG RICHTLINIE 89/392  
ISO/FDIS 8662-11 (1999)  
ah.w.3s= 4,2 (m/s²)

**TOOL RELATED VIBRATION**

**VALUE**  
EEC DIRECTIVE 89/392  
ISO/FDIS 8662-11 (1999)  
ah.w.3s= 4,2 (m/s²)

**VALEUR DES VIBRATIONS**

**PAR LA MACHINE**  
DIRECTIVE CEE 89/392  
ISO/FDIS 8662-11 (1999)  
ah.w.3s= 4,2 (m/s²)

**VIBRACION PRODUCIDA**

NORMATIVA 89/392 CEE  
ISO/FDIS 8662-11 (1999)  
ah.w.3s= 4,2 (m/s²)

**NIVEL DE VIBRAÇÃO**

**DO PRODUTO**  
DIRECTIVA 89/392 CEE  
ISO/FDIS 8662-11 (1999)  
ah.w.3s= 4,2 (m/s²)

Serial Nr.