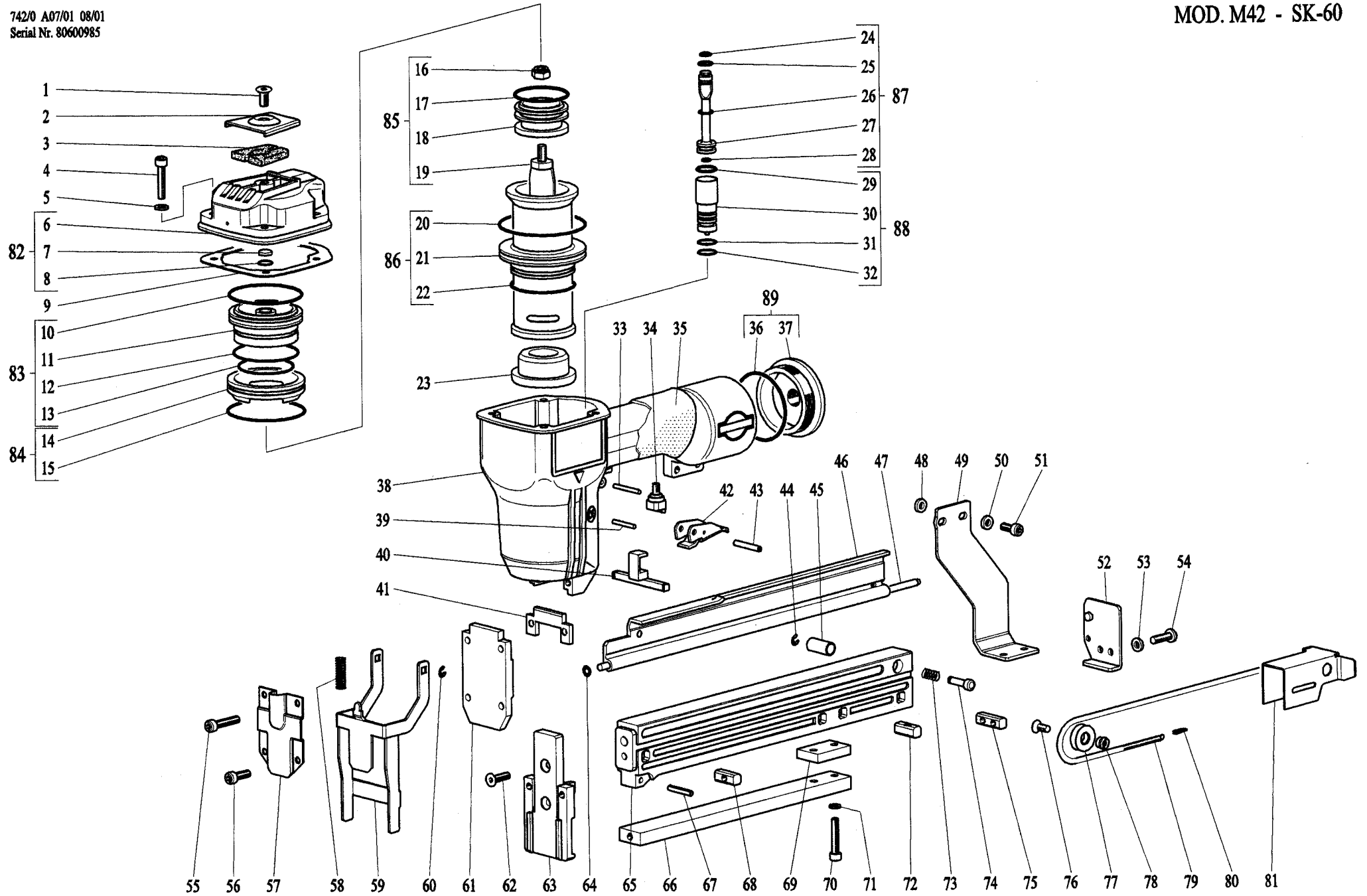


742/0 A07/01 08/01
Serial Nr. 80600985

MOD. M42 - SK-60



RIF. COD.

1	B000028A12	43	B000026A11	85	D442226A01
2	C440101A01	44	B000021C01	86	D442241A02
3	C440103A01	45	C742948A01	87	D450304A01
4	B000028C04	46	C742720A01	88	D730361A01
5	C450180A01	47	C742736A01	89	D450283A01
6	D440123A01	48	C450180A01		
7	C240160A01	49	C742701A03		
8	B000020A06	50	C450180A01		
9	C440181A01	51	B000028B12		
10	B000020A43	52	D742973A02		
11	D440202A01	53	B000022A02		
12	B000020A40	54	B000028E12		
13	B000020A39	55	B000028C04		
14	D440204A01	56	B000028B13		
15	B000020A44	57	C742681A01		
16	B000023B04	58	C230661A01		
17	B000020A52	59	D742640A01		
18	C442220A01	60	B000021C01		
19	C442225A01	61	C742540A01		
20	B000020A60	62	B000028A08		
21	D442241A02	63	C742912A07		
22	B000020A40	64	B000020B02		
23	C642244A01	65	C742937A07		
24	B000020B02	66	C742714A01		
25	B000020B01	67	B000026A23		
26	B000020A02	68	C742710A01		
27	D450304A01	69	C742727A01		
28	B000020B11	70	B000028B45		
29	B000020A02	71	B000022A02		
30	D730361A01	72	C742710A01		
31	B000020A19	73	C430401A02		
32	B000020A19	74	C742949A01		
33	B000026A12	75	C742710A03		
34	D750411A02	76	B000028A03		
35	C450262A01	77	C620820A01		
36	B000020A42	78	C620824A01		
37	D450283A01	79	C650842A01		
38	C442261A02	80	C620884A01		
39	B000026A05	81	C742860A01		
40	D442484A01	82	D440123A01		
41	C742500A01	83	D440202A01		
42	D742441A01	84	D440204A01		

Codice A742000A07

Modello **M42**
 Tipo Punto **SK**
 Lungh. min. **40 mm.**
 Lungh. max. **60 mm.**

Kode A742000A07

Modell **M42**
 Klammer Typ **SK**
 Min. Länge **40 mm.**
 Max. Länge **60 mm.**

Code A742000A07

Model **M42**
 Staple type **SK**
 Min. length **40 mm.**
 Max. length **60 mm.**

Code A742000A07

Modèle **M42**
 Agrafe type **SK**
 Longueur min. **40 mm.**
 Longueur max. **60 mm.**

Código A742000A07

Modelo **M42**
 Grapa tipo **SK**
 Largueza min. **40 mm.**
 Largueza max. **60 mm.**

Codigo A742000A07

Modelo **M42**
 Tipo de agrafe **SK**
 Largura min. **40 mm.**
 Largura max. **60 mm.**

DATI TECNICI

Peso: **2370 gr.**
 Dimensioni: **80-270-346 mm.**
 Consumo aria: **1,30 NI/colpo (6 bar)**
 Pressione min.: **4,0 bar**
 Pressione max.: **7,0 bar**

TECHNISCHE DATEN

Gewicht: **2370 gr.**
 Abmessungen: **80-270-346 mm.**
 Luftverbrauch: **1,30 NI/pro Schlag (6 bar)**
 Min.Betriebsdruck: **4,0 bar**
 Max.Betriebsdruck: **7,0 bar**

TECHNICAL FEATURES

Weight: **2370 gr.**
 Dimensions: **80-270-346 mm.**
 Air consumption: **1,30 NI/shot (6 bar)**
 Min.working pressure: **4,0 bar**
 Max.working pressure: **7,0 bar**

DONNEES TECHNIQUES

Poids: **2370 gr.**
 Dimensions: **80-270-346 mm.**
 Consommation d'air: **1,30 NI/coup (6 bar)**
 Pression de fonction min.: **4,0 bar**
 Pression de fonction max.: **7,0 bar**

DATOS TECNICOS

Peso: **2370 gr.**
 Dimensiones: **80-270-346 mm.**
 Consumo de aire: **1,30 NI/disparo (6 bar)**
 Presion min.: **4,0 bar**
 Presion max.: **7,0 bar**

CARACTERISTICAS TECNICAS

Peso: **2370 gr.**
 Dimensões: **80-270-346 mm.**
 Consumo de ar: **1,30 NI/disparo (6 bar)**
 Pressão min.: **4,0 bar**
 Pressão max.: **7,0 bar**

B640040A01 O-Ring Kit

POTENZA ACUSTICA

DIRETTIVA 89/392 CEE
 prEN 12549 (1999)
 UNI EN ISO 3744 (1997)
 LwA= **89,2 (dB)**
 LpA 60S 1M= **88,4 (dB)**

SCHALLEISTUNG

EWG RICHTLINIE 89/392
 prEN 12549 (1999)
 UNI EN ISO 3744 (1997)
 LwA= **89,2 (dB)**
 LpA 60S 1M= **88,4 (dB)**

NOISE POWER

EEC DIRECTIVE 89/392
 prEN 12549 (1999)
 UNI EN ISO 3744 (1997)
 LwA= **89,2 (dB)**
 LpA 60S 1M= **88,4 (dB)**

PUISSANCE ACOUSTIQUE VALEUR DES VIBRATIONS

DIRECTIVE CEE 89/392
 prEN 12549 (1999)
 UNI EN ISO 3744 (1997)
 LwA= **89,2 (dB)**
 LpA 60S 1M= **88,4 (dB)**

POTENCIA ACUSTICA

NORMATIVA 89/392 CEE
 prEN 12549 (1999)
 UNI EN ISO 3744 (1997)
 LwA= **89,2 (dB)**
 LpA 60S 1M= **88,4 (dB)**

POTENCIA ACUSTICA

DIRETTIVA 89/392 CEE
 prEN 12549 (1999)
 UNI EN ISO 3744 (1997)
 LwA= **89,2 (dB)**
 LpA 60S 1M= **88,4 (dB)**

742/0 A07/01 08/01

VIBRAZIONI PRODOTTE

DIRETTIVA 89/392 CEE
 ISO/FDIS 8662-11 (1999)
 ah.w.3s= **2,7 (m/s²)**

GERAETEBEZOGENER

VIBRATIONSWERT
 EWG RICHTLINIE 89/392
 ISO/FDIS 8662-11 (1999)
 ah.w.3s= **2,7 (m/s²)**

TOOL RELATED VIBRATION

VALUE
 EEC DIRECTIVE 89/392
 ISO/FDIS 8662-11 (1999)
 ah.w.3s= **2,7 (m/s²)**

VALEUR DES VIBRATIONS

PAR LA MACHINE
 DIRECTIVE CEE 89/392
 ISO/FDIS 8662-11 (1999)
 ah.w.3s= **2,7 (m/s²)**

VIBRACION PRODUCIDA

NORMATIVA 89/392 CEE
 ISO/FDIS 8662-11 (1999)
 ah.w.3s= **2,7 (m/s²)**

NIVEL DE VIBRAÇÃO

DO PRODUTO
 DIRETTIVA 89/392 CEE
 ISO/FDIS 8662-11 (1999)
 ah.w.3s= **2,7 (m/s²)**

Serial Nr. 80600985