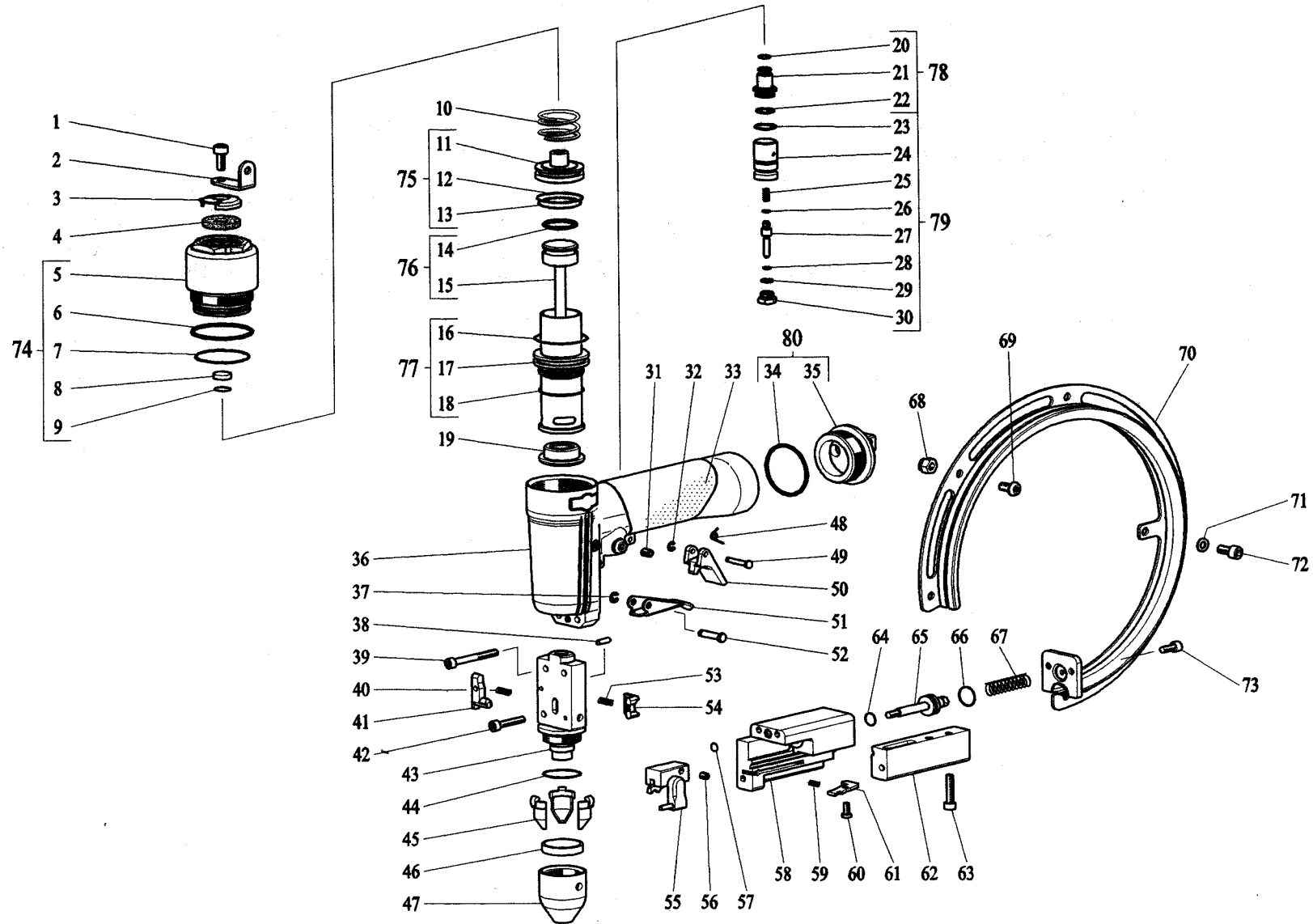


710/0 U03/02 07/11
Serial Nr. 72003908

MOD. M10 - DEKO 9.5



RIF. COD.

1	B000028B23	43	C710540U03
2	C710107U01	44	B000020B13
3	C416100A01	45	C710547U01
4	C416103A02	46	C710549U01
5	D710123N01	47	C710548U03
6	B000020A59	48	C710400N01
7	B000020A25	49	C650698A03
8	C216160A01	50	C710402N01
9	B000020A19	51	C416421A01
10	C016200A01	52	C216424A01
11	D416202C01	53	C216340A01
12	B000020A32	54	C710555U03
13	B000020A31	55	D710888U03
14	B000020B30	56	B000027B05
15	D710226U03	57	B000020A15
16	B000020A35	58	D710726U03
17	D416241U02	59	C710851U01
18	B000020A22	60	B000028F03
19	C016244A01	61	C710872U03
20	B000020A17	62	C710728U03
21	D416302A01	63	B000028B07
22	B000020A01	64	B000020A83
23	B000020A03	65	C710849U03
24	D416361A01	66	B000020A19
25	C216340A01	67	C710842U03
26	B000020A14	68	B000023B02
27	D416345A01	69	B000028E05
28	B000020A14	70	D710982U01
29	B000020A18	71	B000022A02
30	D416322A01	72	B000028B31
31	B000027B03	73	B000028B03
32	B000021C03	74	D710123N01
33	C425262A01	75	D416202C01
34	B000020A35	76	D710226U03
35	D710283U01	77	D416241U02
36	C710261U01	78	D416302A01
37	B000021C01	79	D416361A01
38	B000025A03	80	D710283U01
39	B000028B09		
40	C216340A01		
41	C710554U01		
42	B000028B07		

Codice A710000U03
Modello M10 DEKO
Tipo Punto 9 - 9,5
Lungh. min. // mm.
Lungh. max. 15 mm.

Kode A710000U03
Modell M10 DEKO
Klammer Typ 9 - 9,5
Min. Länge // mm.
Max. Länge 15 mm.

Code A710000U03
Model M10 DEKO
Staple type 9 - 9,5
Min. length // mm.
Max. length 15 mm.

Code A710000U03
Modèle M10 DEKO
Agrafe type 9 - 9,5
Longueur min. // mm.
Longueur max. 15 mm.

Código A710000U03
Modelo M10 DEKO
Grapa tipo 9 - 9,5
Largueza min. // mm.
Largueza max. 15 mm.

Codigo A710000U03
Modelo M10 DEKO
Tipo de agrafe 9 - 9,5
Largura min. // mm.
Largura max. 15 mm.

DATI TECNICI

Peso: 1260 gr.
Dimensioni: 66-270-230 mm.
Consumo aria: 0,30 NI/colpo (6 bar)
Pressione min.: 5,0 bar
Pressione max.: 7,0 bar

TECHNISCHE DATEN

Gewicht: 1260 gr.
Abmessungen: 66-270-230 mm.
Luftverbrauch: 0,30 NI/pro Schlag (6 bar)
Min.Betriebsdruck: 5,0 bar
Max.Betriebsdruck: 7,0 bar

TECHNICAL FEATURES

Weight: 1260 gr.
Dimensions: 66-270-230 mm.
Air consumption: 0,30 NI/shot (6 bar)
Min.working pressure: 5,0 bar
Max.working pressure: 7,0 bar

DONNEES TECHNIQUES

Poids: 1260 gr.
Dimensions: 66-270-230 mm.
Consommation d'air: 0,30 NI/coup (6 bar)
Pression de fonction min.: 5,0 bar
Pression de fonction max.: 7,0 bar

DATOS TECNICOS

Peso: 1260 gr.
Dimensiones: 66-270-230 mm.
Consumo de aire: 0,30 NI/disparo (6 bar)
Presion min.: 5,0 bar
Presion max.: 7,0 bar

CARACTERISTICAS TECNICAS

Peso: 1260 gr.
Dimensões: 66-270-230 mm.
Consumo de ar: 0,30 NI/disparo (6 bar)
Pressão min.: 5,0 bar
Pressão max.: 7,0 bar

B710040U01 O-Ring Kit

POTENZA ACUSTICA

DIRETTIVA 89/392 CEE
prEN 12549 (1999)
UNI EN ISO 3744 (1997)
LwA= 81,7 (dB)
LpA 60S 1M= 80,2 (dB)

SCHALLEISTUNG

EWG RICHTLINIE 89/392
prEN 12549 (1999)
UNI EN ISO 3744 (1997)
LwA= 81,7 (dB)
LpA 60S 1M= 80,2 (dB)

NOISE POWER

EEC DIRECTIVE 89/392
prEN 12549 (1999)
UNI EN ISO 3744 (1997)
LwA= 81,7 (dB)
LpA 60S 1M= 80,2 (dB)

PUISSANCE ACOUSTIQUE

DIRECTIVE CEE 89/392
prEN 12549 (1999)
UNI EN ISO 3744 (1997)
LwA= 81,7 (dB)
LpA 60S 1M= 80,2 (dB)

POTENCIA ACUSTICA

NORMATIVA 89/392 CEE
prEN 12549 (1999)
UNI EN ISO 3744 (1997)
LwA= 81,7 (dB)
LpA 60S 1M= 80,2 (dB)

POTENCIA ACUSTICA

DIRETTIVA 89/392 CEE
prEN 12549 (1999)
UNI EN ISO 3744 (1997)
LwA= 81,7 (dB)
LpA 60S 1M= 80,2 (dB)

710/0 U03/02 07/11

VIBRAZIONI PRODOTTE

DIRETTIVA 89/392 CEE
ISO/FDIS 8662-11 (1999)
ah.w.3s= inferiore a 2,5 (m/s²)

GERAETEBEZOGENER VIBRATIONSWERT

EWG RICHTLINIE 89/392
ISO/FDIS 8662-11 (1999)
ah.w.3s= unter 2,5 (m/s²)

TOOL RELATED VIBRATION VALUE

EEC DIRECTIVE 89/392
ISO/FDIS 8662-11 (1999)
ah.w.3s= below 2,5 (m/s²)

VALEUR DES VIBRATIONS PAR LA MACHINE

DIRECTIVE CEE 89/392
ISO/FDIS 8662-11 (1999)
ah.w.3s= inférieur à 2,5 (m/s²)

VIBRACION PRODUCIDA

NORMATIVA 89/392 CEE
ISO/FDIS 8662-11 (1999)
ah.w.3s= inferior a 2,5 (m/s²)

NIVEL DE VIBRAÇÃO DO PRODUTO

DIRETTIVA 89/392 CEE
ISO/FDIS 8662-11 (1999)
ah.w.3s= inferior a 2,5 (m/s²)

Serial Nr. 72003908