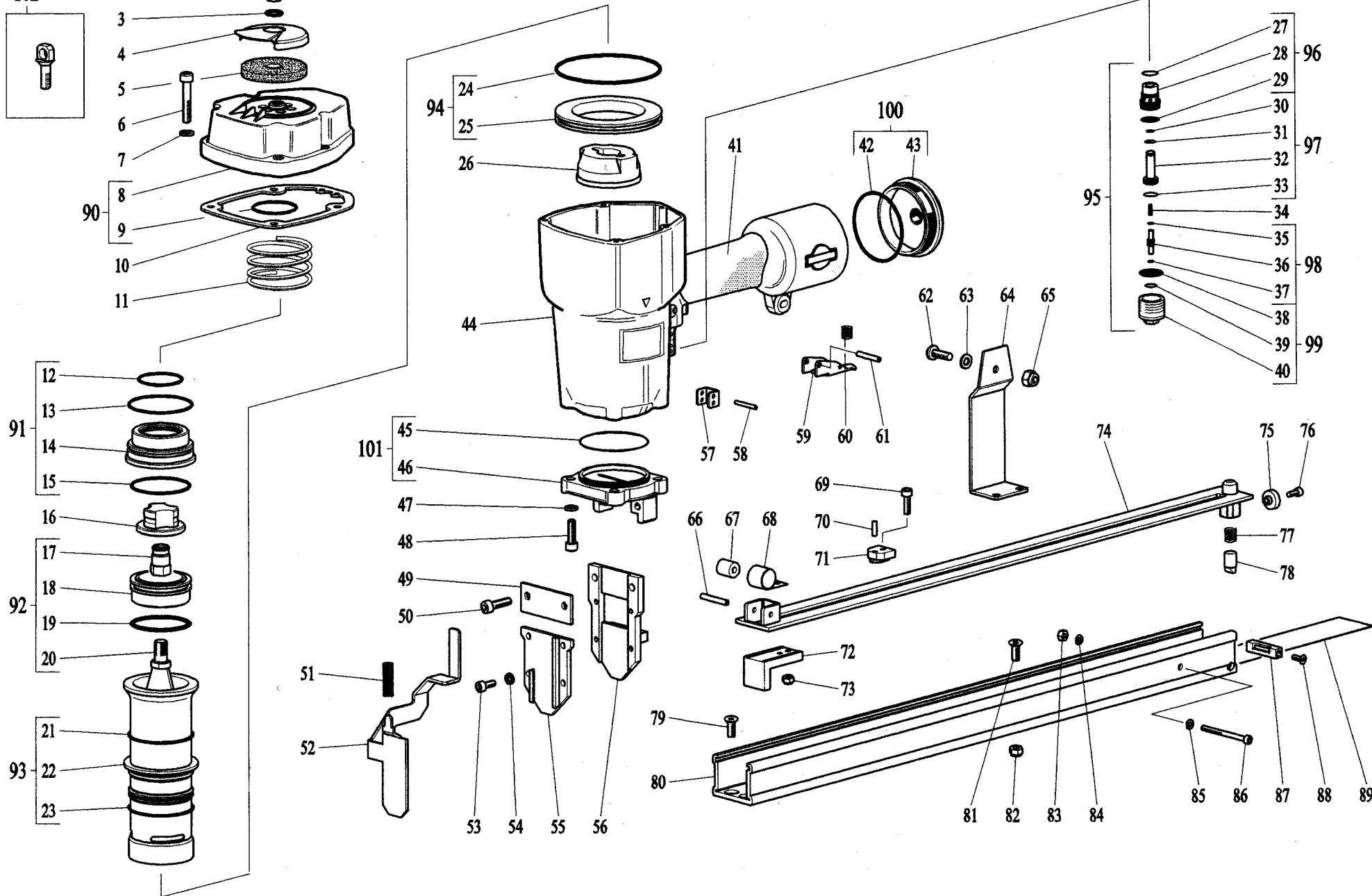


102 - ACCESSORIO PER GANCIO  
HANGER ACCESSORY

102



**RIF. COD.**

1	B000028A24	43	D465283A01	85	B000022A01
2	C750104A01	44	C670261U01	86	B000028D04
3	B000020A04	45	B000020A69	87	C670947U01
4	C750100A01	46	D670526U01	88	B000028E05
5	C790103U01	47	B000022C04	89	C670740U01
6	B000028B26	48	B000028B30	90	D790123K03
7	C565180A01	49	C670500U01	91	D790202K01
8	D790123K03	50	B000028B19	92	D770226U01
9	B000020A37	51	C565661U01	93	D565241A01
10	C565181A01	52	C670600U01	94	D465243A01
11	C750200A01	53	B000028B11	95	D565360A02
12	B000020A38	54	B000022A02	96	D565307A02
13	B000020A44	55	C670681U01	97	D565304A01
14	D790202K01	56	C670540U01	98	D565345A01
15	B000020A44	57	C565689A01	99	D565325A02
16	C750162A01	58	B000026A15	100	D465283A01
17	C770222U01	59	D790442K01	101	D670526U01
18	C770220U01	60	C565401A01	102	C750105A01
19	B000020A66	61	B000026A09		
20	C670225U01	62	B000028E09		
21	B000020A48	63	C565180A01		
22	D565241A01	64	C670701U01		
23	B000020A47	65	B000023B03		
24	B000020A56	66	B000026A11		
25	D465243A01	67	C670803U01		
26	C670244U01	68	C275843K01		
27	B000020A67	69	B000028B13		
28	D565307A02	70	B000025A09		
29	B000020A20	71	C670866U01		
30	B000020A16	72	C670860U01		
31	B000020A17	73	B000023B02		
32	D565304A01	74	D670984U01		
33	B000020A63	75	C670767U01		
34	C216340A01	76	B000028B12		
35	B000020B04	77	C465661A01		
36	D565345A01	78	C670765U01		
37	B000020B04	79	B000028A11		
38	B000020A73	80	C670722U01		
39	B000020A63	81	B000028A11		
40	D565325A02	82	B000023B03		
41	C450262A01	83	B000023B01		
42	B000020A48	84	B000022A01		

Codice **A770000U01**Modello **M70**  
Tipo Punto **CF**  
Lungh. min. / mm.  
Lungh. max. **25 mm.**Kode **A770000U01**Modell **M70**  
Klammer Typ **CF**  
Min. Länge / mm.  
Max. Länge **25 mm.**Code **A770000U01**Model **M70**  
Staple type **CF**  
Min. length / mm.  
Max. length **25 mm.**Code **A770000U01**Modèle **M70**  
Agrafe type **CF**  
Longueur min. / mm.  
Longueur max. **25 mm.**Código **A770000U01**Modelo **M70**  
Grapa tipo **CF**  
Largueza min. / mm.  
Largueza max. **25 mm.**Codigo **A770000U01**Modelo **M70**  
Tipo de agrafe **CF**  
Largura min. / mm.  
Largura max. **25 mm.****DATI TECNICI**Peso: **3950 gr.**  
Dimensioni: **102-312-462 mm.**  
Consumo aria: **3,22 NI/colpo (6 bar)**  
Pressione min.: **5,0 bar**  
Pressione max.: **8,0 bar****TECHNISCHE DATEN**Gewicht: **3950 gr.**  
Abmessungen: **102-312-462 mm.**  
Luftverbrauch: **3,22 NI/pro Schlag (6 bar)**  
Min.Betriebsdruck: **5,0 bar**  
Max.Betriebsdruck: **8,0 bar****TECHNICAL FEATURES**Weight: **3950 gr.**  
Dimensions: **102-312-462 mm.**  
Air consumption: **3,22 NI/shot (6 bar)**  
Min.working pressure: **5,0 bar**  
Max.working pressure: **8,0 bar****DONNEES TECHNIQUES**Poids: **3950 gr.**  
Dimensions: **102-312-462 mm.**  
Consommation d'air: **3,22 NI/coup (6 bar)**  
Pression de fonction min.: **5,0 bar**  
Pression de fonction max.: **8,0 bar****DATOS TECNICOS**Peso: **3950 gr.**  
Dimensiones: **102-312-462 mm.**  
Consumo de aire: **3,22 NI/disparo (6 bar)**  
Presion min.: **5,0 bar**  
Presion max.: **8,0 bar****CARACTERISTICAS TECNICAS**Peso: **3950 gr.**  
Dimensões: **102-312-462 mm.**  
Consumo de ar: **3,22 NI/disparo (6 bar)**  
Pressão min.: **5,0 bar**  
Pressão max.: **8,0 bar****B790040K03 O-Ring Kit****POTENZA ACUSTICA**DIRETTIVA CEE  
ISO-11148-13-2017  
prEN 12549 (1999)  
UNI EN ISO 3744 (1997)  
LwA= **93,5 (dB)**  
LpA 60S 1M= **92,7 (dB)****SCHALLEISTUNG**EWG RICHTLINIE  
ISO-11148-13-2017  
prEN 12549 (1999)  
UNI EN ISO 3744 (1997)  
LwA= **93,5 (dB)**  
LpA 60S 1M= **92,7 (dB)****NOISE POWER**EEC DIRECTIVE  
ISO-11148-13-2017  
prEN 12549 (1999)  
UNI EN ISO 3744 (1997)  
LwA= **93,5 (dB)**  
LpA 60S 1M= **92,7 (dB)****PUISSANCE ACOUSTIQUE**DIRECTIVE CEE  
ISO-11148-13-2017  
prEN 12549 (1999)  
UNI EN ISO 3744 (1997)  
LwA= **93,5 (dB)**  
LpA 60S 1M= **92,7 (dB)****POTENCIA ACUSTICA**NORMATIVA CEE  
ISO-11148-13-2017  
prEN 12549 (1999)  
UNI EN ISO 3744 (1997)  
LwA= **93,5 (dB)**  
LpA 60S 1M= **92,7 (dB)****POTENCIA ACUSTICA**DIRETTIVA CEE  
ISO-11148-13-2017  
prEN 12549 (1999)  
UNI EN ISO 3744 (1997)  
LwA= **93,5 (dB)**  
LpA 60S 1M= **92,7 (dB)****770/0 U01/01 06/10****VIBRAZIONI PRODOTTE**DIRETTIVA CEE  
ISO-11148-13-2017  
ISO/FDIS 8662-11 (1999)  
ah.w.3s= **3,9 (m/s²)****GERAETEBEZOGENER****VIBRATIONSWERT**  
EWG RICHTLINIE  
ISO-11148-13-2017  
ISO/FDIS 8662-11 (1999)  
ah.w.3s= **3,9 (m/s²)****TOOL RELATED VIBRATION****VALUE**  
EEC DIRECTIVE  
ISO-11148-13-2017  
ISO/FDIS 8662-11 (1999)  
ah.w.3s= **3,9 (m/s²)****VALEUR DES VIBRATIONS****PAR LA MACHINE**  
DIRECTIVE CEE  
ISO-11148-13-2017  
ISO/FDIS 8662-11 (1999)  
ah.w.3s= **3,9 (m/s²)****VIBRACION PRODUCIDA**NORMATIVA CEE  
ISO-11148-13-2017  
ISO/FDIS 8662-11 (1999)  
ah.w.3s= **3,9 (m/s²)****NIVEL DE VIBRACAO****DO PRODUTO**  
DIRETTIVA CEE  
ISO-11148-13-2017  
ISO/FDIS 8662-11 (1999)  
ah.w.3s= **3,9 (m/s²)**

Serial Nr.