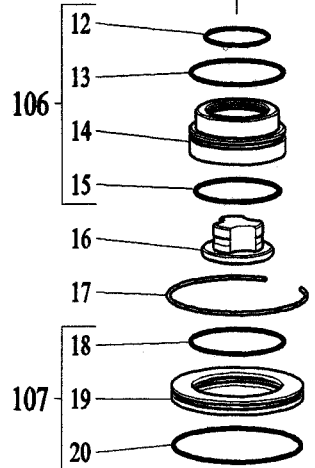
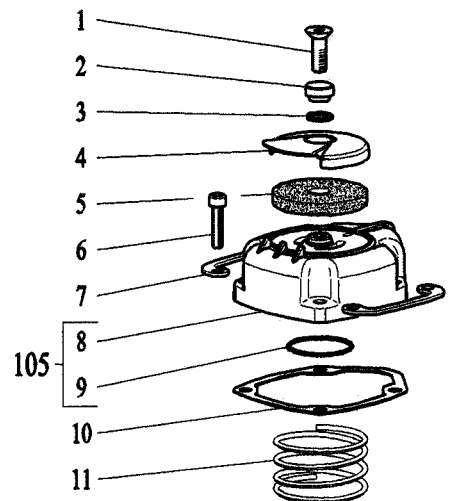
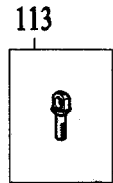
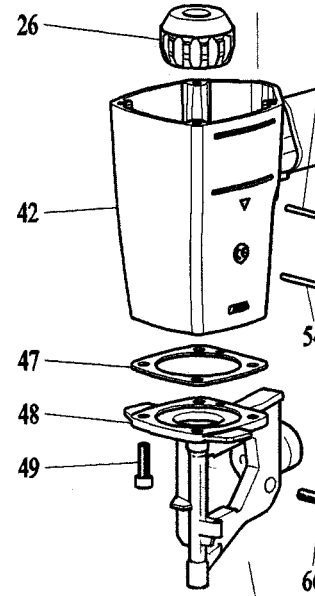
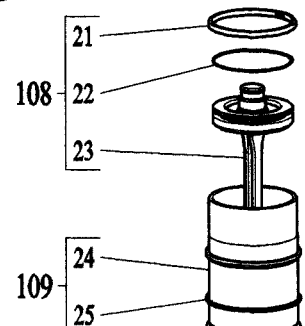
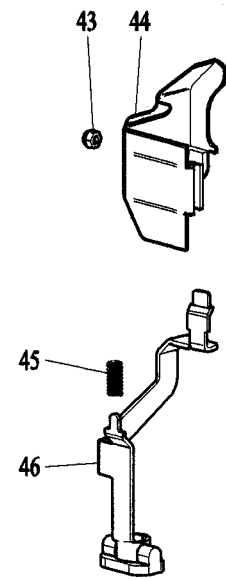


113 - ACCESSORIO PER GANCIO
HANGER ACCESSORY

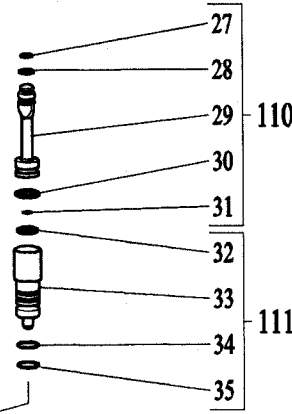


107

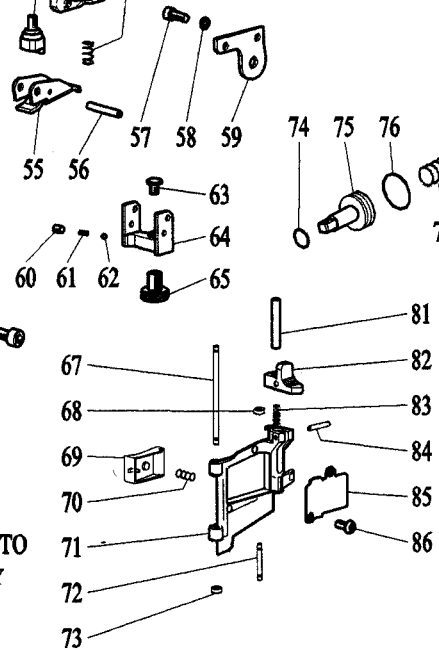


114 - COMPLETO
ASSEMBLY

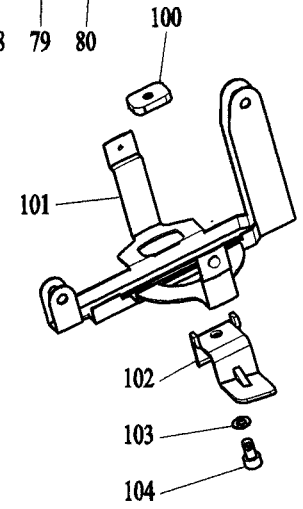
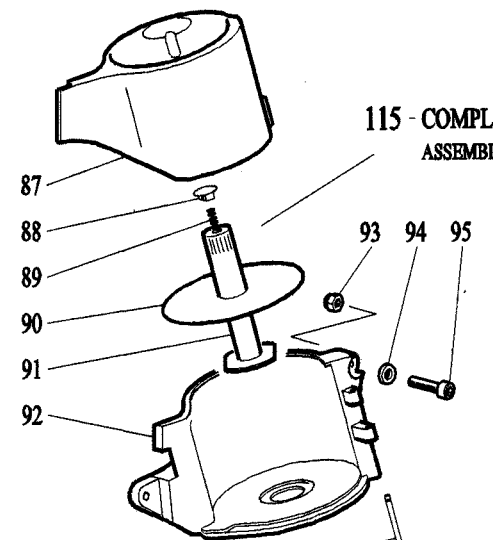
50 51 52 53



112



115 - COMPLETO
ASSEMBLY



RIF. COD.

1	B000028A24	43	C745681U01	85	B000028E01
2	C750104A01	44	C745661U01	86	C745731U01
3	B000020A04	45	D745640U01	87	C745752U01
4	C750100A01	46	C745528U01	88	C745753U01
5	C790103U01	47	C745540U01	89	C745756U01
6	B000028C06	48	B000028C11	90	C745757U01
7	C745182U01	49	C745826U01	91	C745722U01
8	D745123U01	50	C745873U01	92	B000023B03
9	B000020A37	51	C745807U01	93	C565180A01
10	C750181A01	52	C745806U01	94	B000028B19
11	C750200A01	53	B000026A19	95	B000029C01
12	B000020A38	54	D750441A01	96	C745752U01
13	B000020A44	55	B000026A11	97	C745733U01
14	D750202A01	56	B000028B04	98	C745807U01
15	B000020A42	57	B000022A01	99	C745976U01
16	C750162A01	58	C745700U01	100	C745974U01
17	C750246A03	59	B000027A02	101	C745975U01
18	B000020A44	60	C755665K01	102	B000022C02
19	D750243A01	61	B000024A04	103	B000028B18
20	B000020A76	62	C790666U01	104	D745123U01
21	B000020B16	63	C745527U01	105	D750202A01
22	D745226U01	64	C745666U01	106	D750243A01
23	D745241U01	65	B000028B20	107	D745226U01
24	B000020A43	66	C745524U01	108	D745241U01
25	C745244U01	67	C745807U01	109	D745304U01
26	B000020B02	68	C745872U01	110	D750361A01
27	B000020B01	69	C745851U01	111	D450283A01
28	D745304U01	70	C745551U01	112	C750105A01
29	B000020A02	71	C745852U01	113	D745552U01
30	B000020B11	72	C745807U01	114	D745726U01
31	B000020A02	73	B000020A01		
32	D750361A01	74	C745849U01		
33	B000020A19	75	B000020B13		
34	B000020A19	76	C745842U01		
35	B000026A12	77	C745850U01		
36	D750411A02	78	C745885U01		
37	C450262A01	79	B000021A06		
38	C430401A02	80	C745773U01		
39	B000020A42	81	C745765U01		
40	D450283A01	82	C745766U01		
41	C745261U01	83	B000026A14		
42	B000023B03	84	C745553U01		

Codice **A745000U01**

Modello **M45**
 Tipo Punto **CNR**
 Lungh. min. **19 mm.**
 Lungh. max. **50 mm.**

Kode **A745000U01**

Modell **M45**
 Klammer Typ **CNR**
 Min. Länge **19 mm.**
 Max. Länge **50 mm.**

Code **A745000U01**

Model **M45**
 Staple type **CNR**
 Min. length **19 mm.**
 Max. length **50 mm.**

Code **A745000U01**

Modèle **M45**
 Agrafe type **CNR**
 Longueur min. **19 mm.**
 Longueur max. **50 mm.**

Código **A745000U01**

Modelo **M45**
 Grapa tipo **CNR**
 Largueza min. **19 mm.**
 Largueza max. **50 mm.**

Codigo **A745000U01**

Modelo **M45**
 Tipo de agrafe **CNR**
 Largura min. **19 mm.**
 Largura max. **50 mm.**

DATI TECNICI

Peso: **2700 gr.**
 Dimensioni: **115-287-274 mm.**
 Consumo aria: **2,00 NI/colpo (6 bar)**
 Pressione min.: **5,0 bar**
 Pressione max.: **8,0 bar**

TECHNISCHE DATEN

Gewicht: **2700 gr.**
 Abmessungen: **115-287-274 mm.**
 Luftverbrauch: **2,00 NI/pro Schlag (6 bar)**
 Min.Betriebsdruck: **5,0 bar**
 Max.Betriebsdruck: **8,0 bar**

TECHNICAL FEATURES

Weight: **2700 gr.**
 Dimensions: **115-287-274 mm.**
 Air consumption: **2,00 NI/shot (6 bar)**
 Min.working pressure: **5,0 bar**
 Max.working pressure: **8,0 bar**

DONNEES TECHNIQUES

Poids: **2700 gr.**
 Dimensions: **115-287-274 mm.**
 Consommation d'air: **2,00 NI/coup (6 bar)**
 Pression de fonction min.: **5,0 bar**
 Pression de fonction max.: **8,0 bar**

DATOS TECNICOS

Peso: **2700 gr.**
 Dimensiones: **115-287-274 mm.**
 Consumo de aire: **2,00 NI/disparo (6 bar)**
 Presion min.: **5,0 bar**
 Presion max.: **8,0 bar**

CARACTERISTICAS TECNICAS

Peso: **2700 gr.**
 Dimensões: **115-287-274 mm.**
 Consumo de ar: **2,00 NI/disparo (6 bar)**
 Pressão min.: **5,0 bar**
 Pressão max.: **8,0 bar**

POTENZA ACUSTICA

DIRETTIVA CEE
 ISO-11148-13-2017
 prEN 12549 (1999)
 UNI EN ISO 3744 (1997)
 LwA= **89,2 (dB)**
 LpA 60S 1M= **81,9 (dB)**

SCHALLEISTUNG

EWG RICHTLINIE
 ISO-11148-13-2017
 prEN 12549 (1999)
 UNI EN ISO 3744 (1997)
 LwA= **89,2 (dB)**
 LpA 60S 1M= **81,9 (dB)**

NOISE POWER

EEC DIRECTIVE
 ISO-11148-13-2017
 prEN 12549 (1999)
 UNI EN ISO 3744 (1997)
 LwA= **89,2 (dB)**
 LpA 60S 1M= **81,9 (dB)**

PUISSANCE ACOUSTIQUE

DIRECTIVE CEE
 ISO-11148-13-2017
 prEN 12549 (1999)
 UNI EN ISO 3744 (1997)
 LwA= **89,2 (dB)**
 LpA 60S 1M= **81,9 (dB)**

POTENCIA ACUSTICA

NORMATIVA CEE
 ISO-11148-13-2017
 prEN 12549 (1999)
 UNI EN ISO 3744 (1997)
 LwA= **89,2 (dB)**
 LpA 60S 1M= **81,9 (dB)**

POTENCIA ACUSTICA

DIRETTIVA CEE
 ISO-11148-13-2017
 prEN 12549 (1999)
 UNI EN ISO 3744 (1997)
 LwA= **89,2 (dB)**
 LpA 60S 1M= **81,9 (dB)**

B745040U01 O-Ring Kit**VIBRAZIONI PRODOTTE**

DIRETTIVA CEE
 ISO-11148-13-2017
 ISO/FDIS 8662-11 (1999)
 ah.w.3s= **2,8 (m/s²)**

GERAETEBEZOGENER

VIBRATIONSWEERT
 EWG RICHTLINIE
 ISO-11148-13-2017
 ISO/FDIS 8662-11 (1999)
 ah.w.3s= **2,8 (m/s²)**

TOOL RELATED VIBRATION

VALUE
 EEC DIRECTIVE
 ISO-11148-13-2017
 ISO/FDIS 8662-11 (1999)
 ah.w.3s= **2,8 (m/s²)**

VALEUR DES VIBRATIONS

PAR LA MACHINE
 DIRECTIVE CEE
 ISO-11148-13-2017
 ISO/FDIS 8662-11 (1999)
 ah.w.3s= **2,8 (m/s²)**

VIBRACION PRODUCIDA

NORMATIVA CEE
 ISO-11148-13-2017
 ISO/FDIS 8662-11 (1999)
 ah.w.3s= **2,8 (m/s²)**

NIVEL DE VIBRAÇÃO

DO PRODUTO
 DIRETTIVA CEE
 ISO-11148-13-2017
 ISO/FDIS 8662-11 (1999)
 ah.w.3s= **2,8 (m/s²)**

745/0 U01/03 07/01